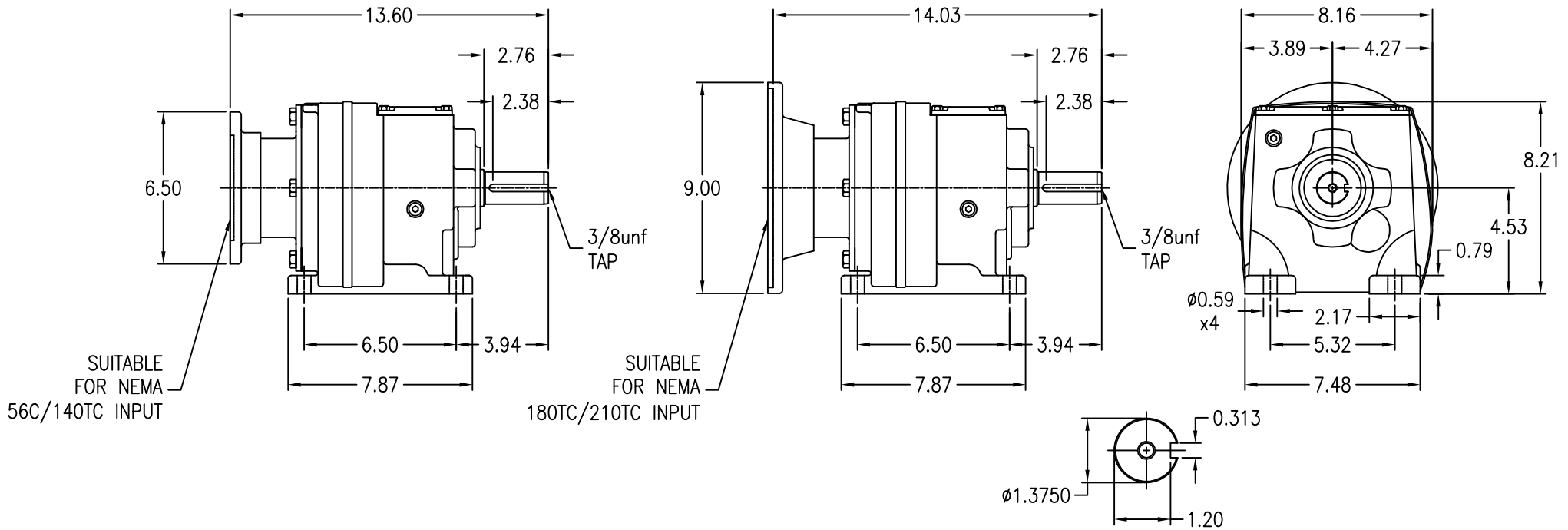


2000HG R-SERIES GEARMOTOR SIZE R0602



STERLING ELECTRIC, INC. IRVINE, CA	OUTLINE IN-LINE HELICAL REDUCER	DESIGNED		DIMENSIONS IN INCHES
		CHECKED		3RD ANGLE PROJECTION
		APPROVED		DWG. NO: R0602AC