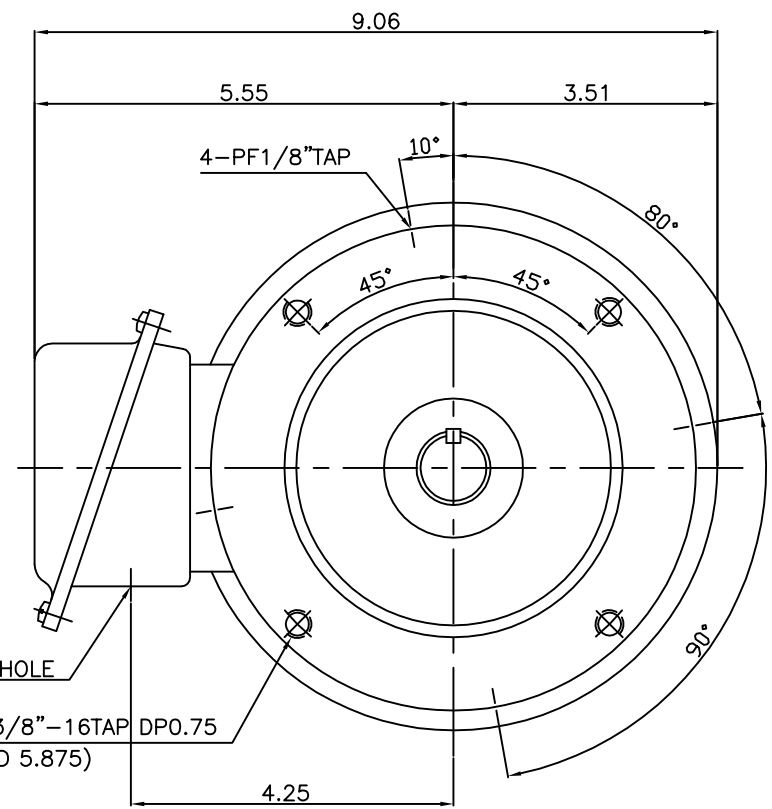


SECTION A-A



DB0014PCA
DH0014PCA
DI0014PCI

STERLING ELECTRIC, INC. INDIANAPOLIS, IN	OUTLINE 3-PHASE ROLLED STEEL MOTOR	DESIGNED		DIMENSIONS IN INCHES
		CHECKED		3RD ANGLE PROJECTION
		APPROVED		DWG. NO: DB0014~DI0014PCI