

# STERLING ELECTRIC, INC.

TOTALLY ENCLOSED FAN  
COOLED, SQUIRREL CAGE  
ROTOR.

ULTRA POWER SERIES

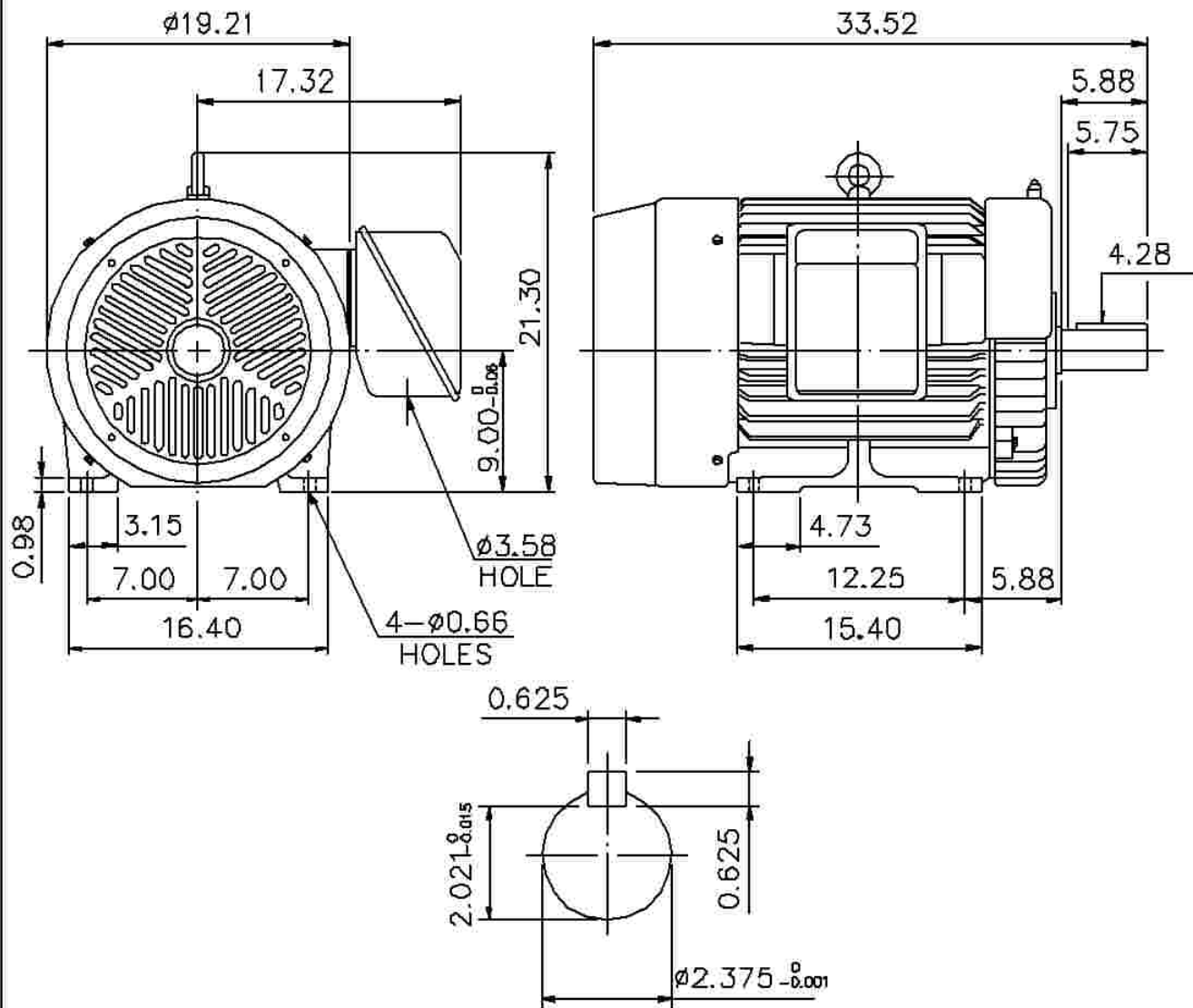
PROJECT NO:

CUSTOMER:

PO. NO:

ORDER NO:

OUTPUT	POLE	SYN. SPEED RPM.	VOLT. V.	FREQ HZ	INSUL.	TIME RATING CONT.	MODEL	FRAME NO. 365T



Note: 1. APPROXIMATE WEIGHT = 925 LBS

2. DRIVE END BEARING NU215

OPPOSITE DRIVE END BEARING 6312

# STERLING ELECTRIC, INC.

DESIGNED

CHECKED

APPROVED

DIMENSIONS IN INCHES

3RD ANGLE PROJECTION

DATE: