

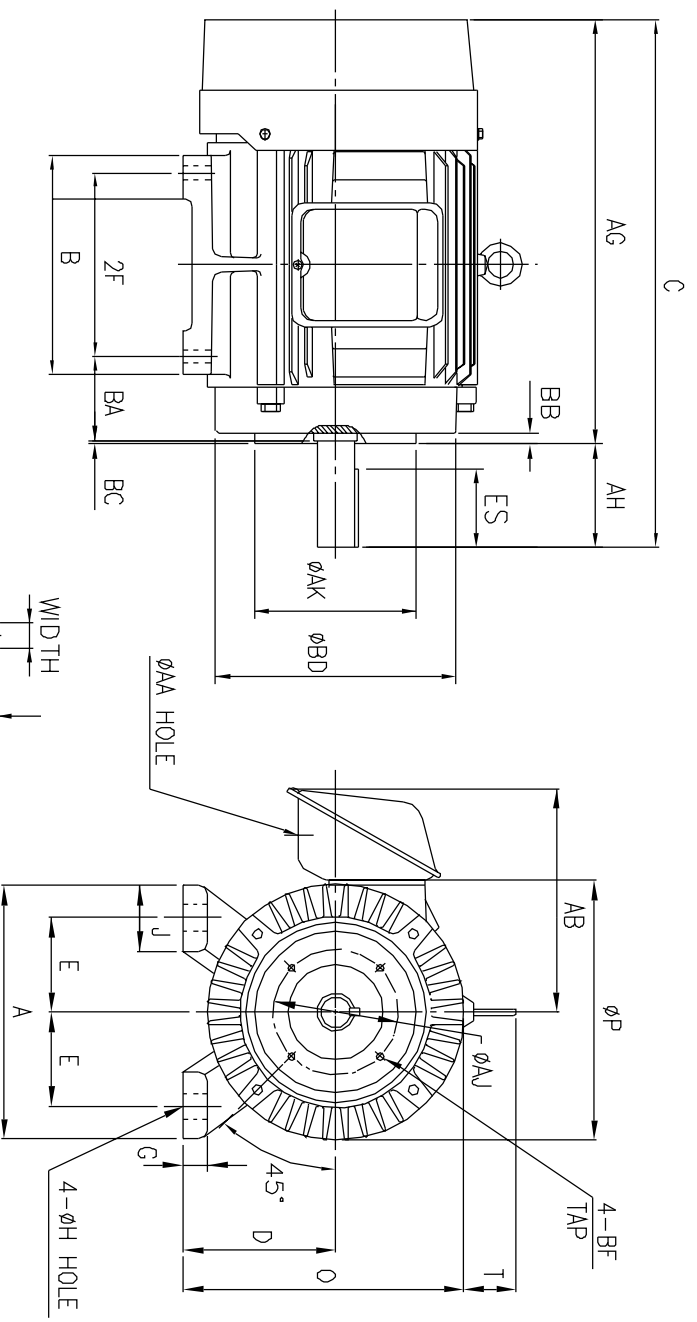
OUTLINE 3-PHASE INDUCTION MOTOR

**TOTALLY ENCLOSED FAN
COOLED, SQUIRREL CAGE
ROTOR
E-MOTOR**

**FILE NO:
CUSTOMER:
P.O. NO:
ORDER NO:**

OUTPUT	POLE	SYN. SPEED	VOLT.	FREQ	TIME RATING	MODEL	FRAME NO.
					CONT.	TEFC	326TC

MOTOR CODE :



MOUNTING														
E	2F	H	BA	A	B	C	D	G	J	P	AA	AB	AG	AJ
6.25	12.00	.66	5.25	14.88	14.17	31.82	8.00	.91	3.15	17.75	2.36	14.37	26.32	11.00

C-FACE		0+T		BB		KEY		SHAFT EXT.		BEARING NO.		APPROX WEIGHT
AK	BD	BF		WIDTH	THICK- NESS	ES	AH	U	D.E	O.D.E		
12.50	14.00	.63-11	19.13	.25	0.50	0.50	2.03	5.00	2.125	6312	6312	

- NOTE:1. TOLERANCE OF SHAFT END DIAMETER U: +0.000,-0.001
 2. TOLERANCE OF SHAFT CENTER HEIGHT D: +0.001,-0.03
 3. DIMENSION AH IS LENGTH OF STRAIGHT PART OF SHAFT.
 4. CLASS INSULATION.

**STERLING
ELECTRIC, INC.**
IRVINE CA.

DESIGNED	CHECKED	APPROVED	DIMENSION IN INCHES
			3RD ANGLE PROJECTION
			DWG. NO: 3267C