

# STERLING ELECTRIC, INC.

TOTALLY ENCLOSED FAN  
COOLED, SQUIRREL CAGE  
ROTOR.  
ULTRA POWER SERIES

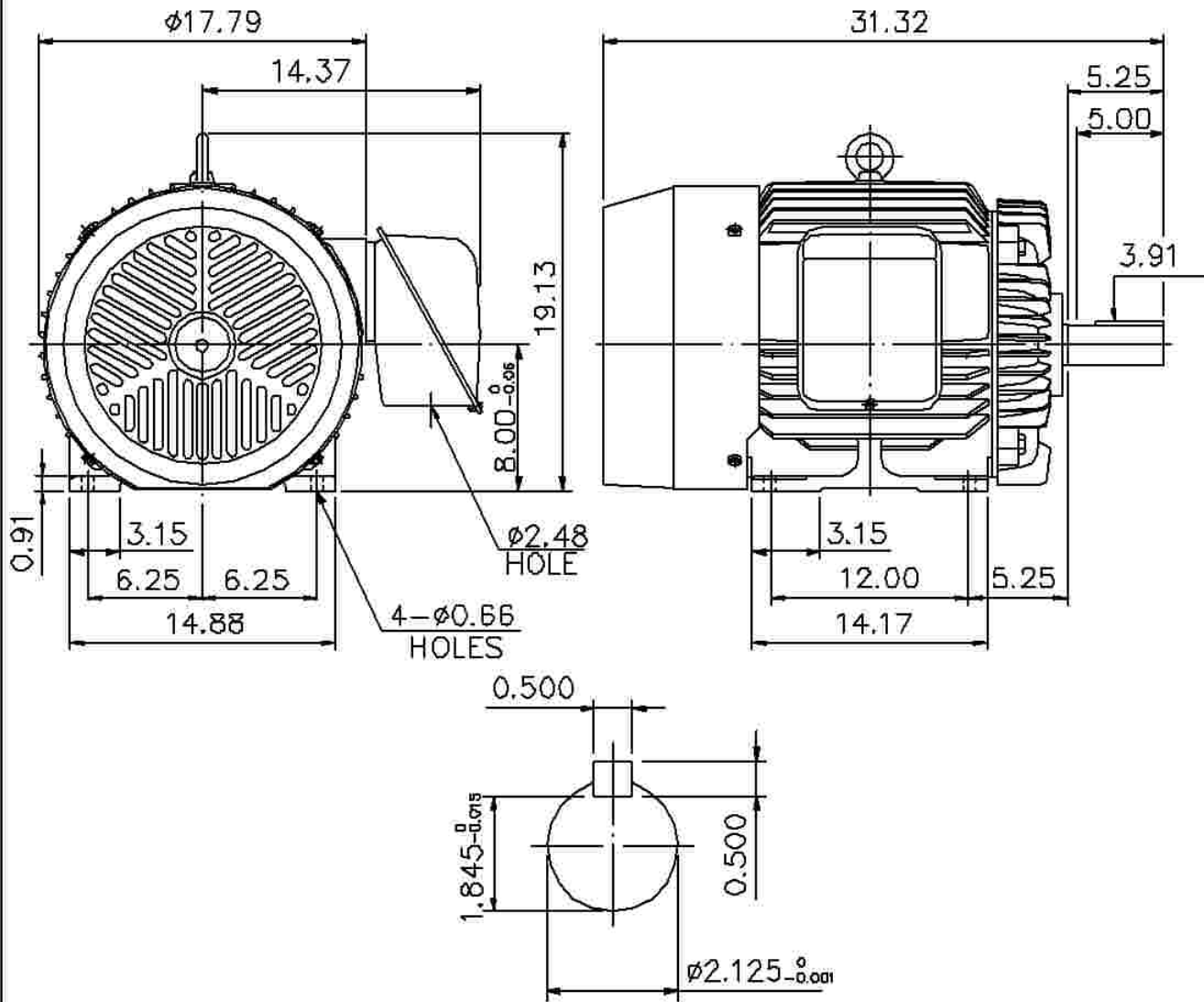
PROJECT NO:

CUSTOMER:

PO. NO:

ORDER NO:

OUTPUT	POLE	SYN. SPEED RPM.	VOLT. V.	FREQ HZ	INSUL.	TIME RATING CONT.	MODEL	FRAME NO.
								328T



Note: 1. APPROXIMATE WEIGHT = 690 LBS

2. DRIVE END BEARING 6312

OPPOSITE DRIVE END BEARING 6212

# STERLING ELECTRIC, INC.

DESIGNED

CHECKED

APPROVED

DIMENSIONS IN INCHES

3RD ANGLE PROJECTION

DATE: