

# STERLING ELECTRIC, INC.

TOTALLY ENCLOSED FAN  
COOLED, SQUIRREL CAGE  
ROTOR.  
ULTRA POWER SERIES

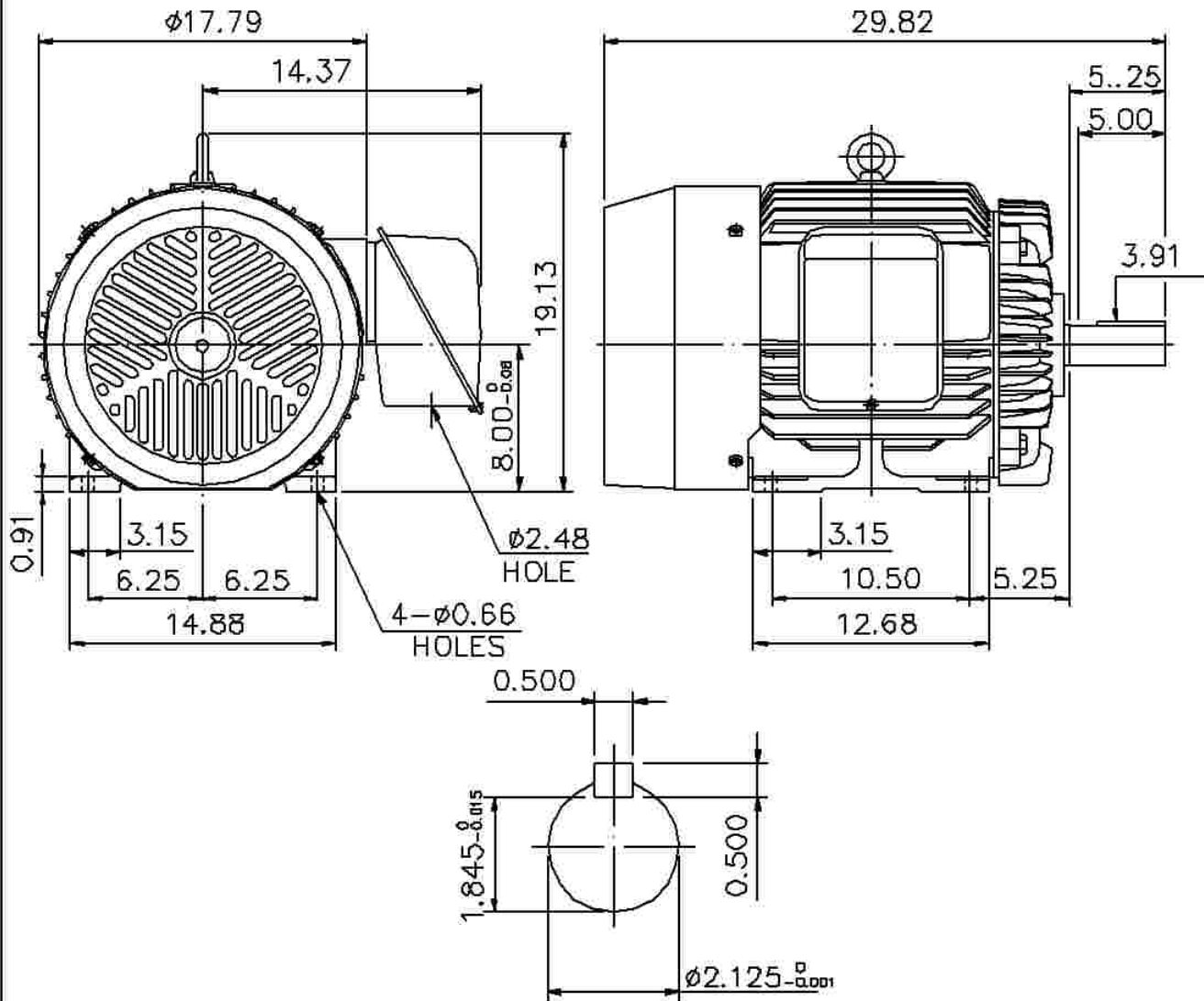
PROJECT NO:

CUSTOMER:

PO. NO:

ORDER NO:

OUTPUT	POLE	SYN. SPEED	VOLT.	FREQ	INSUL.	TIME RATING	MODEL	FRAME NO.
		RPM.	V.	HZ		CONT.		324T



Note: 1. APPROXIMATE WEIGHT = 630 LBS

2. DRIVE END BEARING 6312

OPPOSITE DRIVE END BEARING 6212

# STERLING ELECTRIC, INC.

DESIGNED		DIMENSIONS IN INCHES
CHECKED		3RD ANGLE PROJECTION
APPROVED		DATE: