

STERLING ELECTRIC, INC.

TOTALLY ENCLOSED FAN
COOLED, SQUIRREL CAGE
ROTOR.
ULTRA POWER SERIES

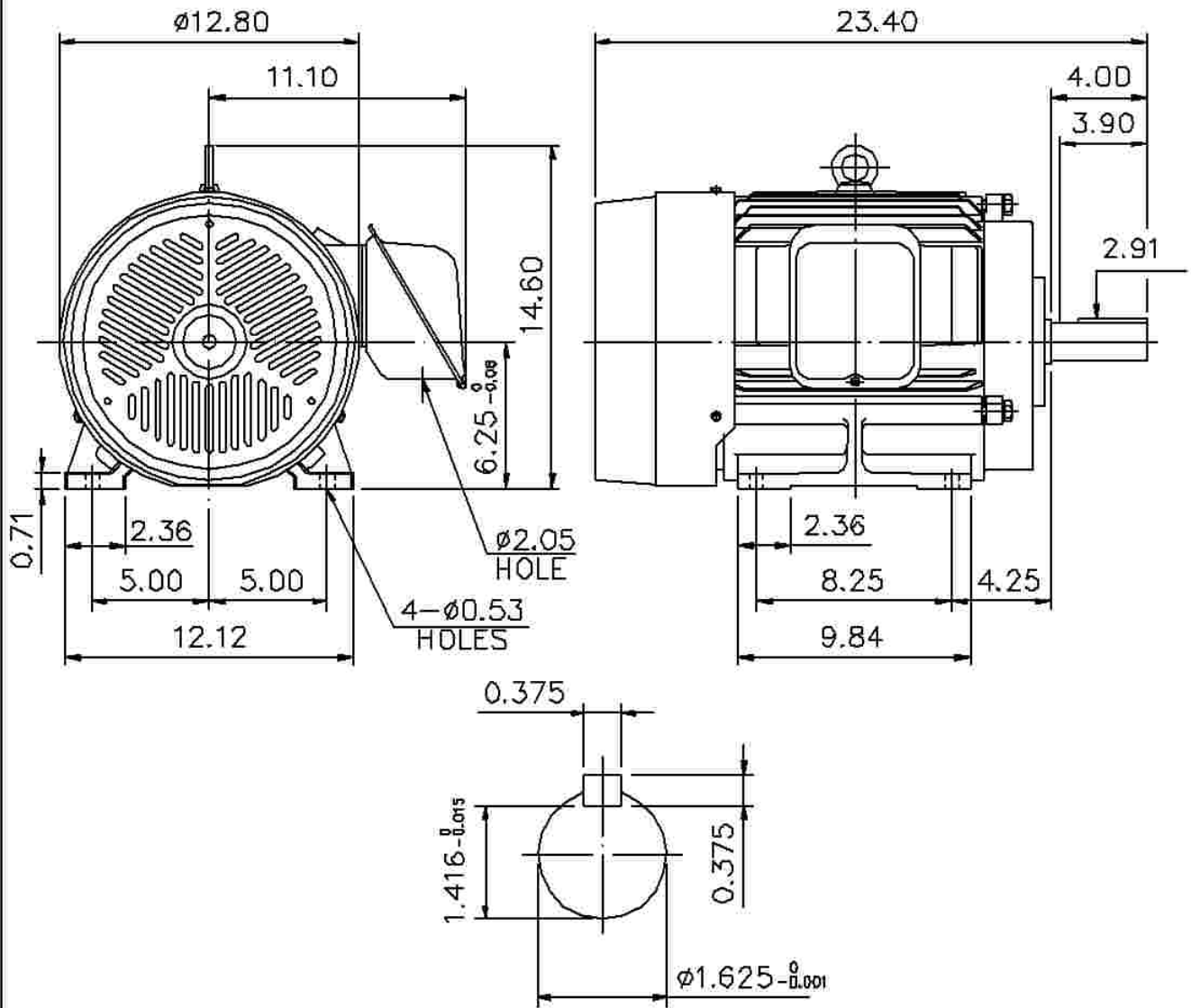
PROJECT NO:

CUSTOMER:

PO. NO:

ORDER NO:

| OUTPUT | POLE | SYN. SPEED RPM. | VOLT. V. | FREQ HZ | INSUL. | TIME RATING CONT. | MODEL | FRAME NO. 254T |
|--------|------|--------------------|-------------|------------|--------|----------------------|-------|-------------------|
| | | | | | | | | |



NOTE: 1. APPROXIMATE WEIGHT = 284 LBS
2. DRIVE END BEARING 6310zz
OPPOSITE DRIVE END BEARING 6208zz

STERLING ELECTRIC, INC.

| | | |
|----------|--|----------------------|
| DESIGNED | | DIMENSIONS IN INCHES |
| CHECKED | | 3RD ANGLE PROJECTION |
| APPROVED | | DATE: |