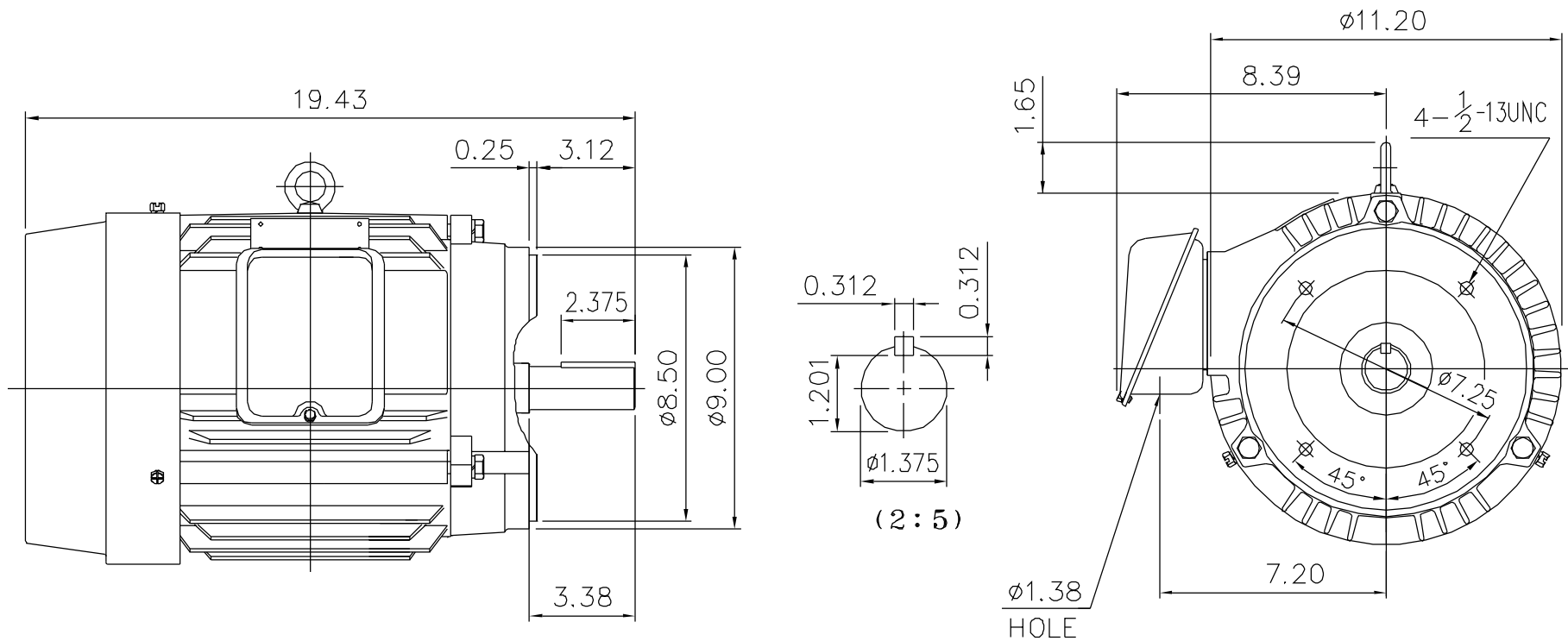


FILE NO:
 CUSTOMER:
 PO. NO:
 ORDER NO:



#215TC (1:5)

STERLING OUTLINE ELECTRIC, INC. IRVINE, CA	DESIGNED		DIMENSIONS IN INCHES
	CHECKED		3RD ANGLE PROJECTION
	APPROVED		DWG. NO: 215TC

3-PHASE
 INDUCTION MOTOR