

# STERLING ELECTRIC, INC.

TOTALLY ENCLOSED FAN  
COOLED, SQUIRREL CAGE  
ROTOR.  
ULTRA POWER SERIES

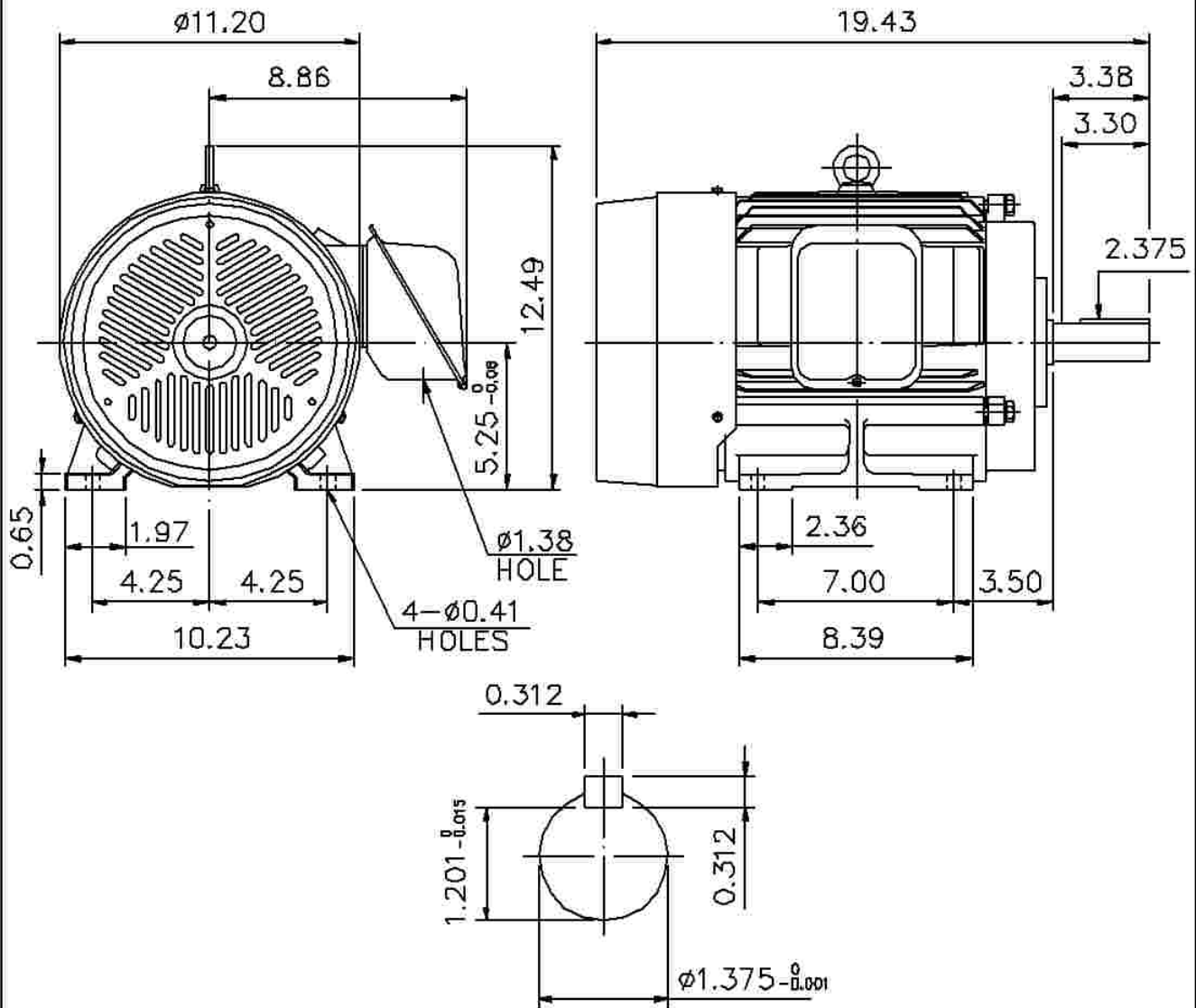
PROJECT NO:

CUSTOMER:

PO. NO:

ORDER NO:

OUTPUT	POLE	SYN. SPEED	VOLT.	FREQ	INSUL.	TIME RATING	MODEL	FRAME NO.
		RPM.	V.	HZ		CONT.		215T



NOTE: 1. APPROXIMATE WEIGHT = 190 LBS  
2. DRIVE END BEARING 6308zz  
OPPOSITE DRIVE END BEARING 6208zz

# STERLING ELECTRIC, INC.

DESIGNED		DIMENSIONS IN INCHES
CHECKED		3RD ANGLE PROJECTION
APPROVED		DATE: