

STERLING ELECTRIC, INC.

TOTALLY ENCLOSED FAN
COOLED, SQUIRREL CAGE
ROTOR.
ULTRA POWER SERIES

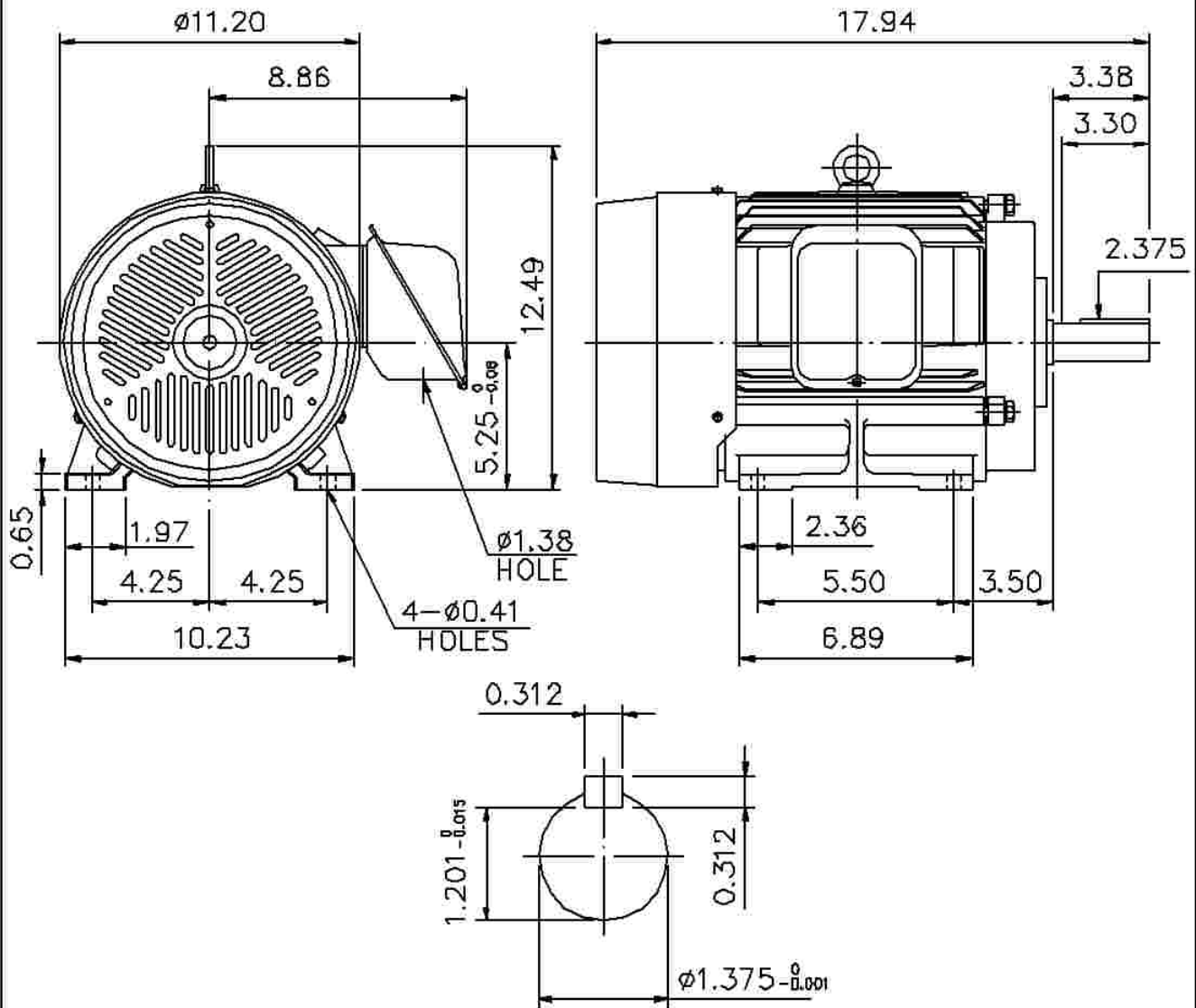
PROJECT NO:

CUSTOMER:

PO. NO:

ORDER NO:

OUTPUT	POLE	SYN. SPEED	VOLT.	FREQ	INSUL.	TIME RATING	MODEL	FRAME NO.
		RPM.	V.	HZ		CONT.		213T



NOTE: 1. APPROXIMATE WEIGHT = 167 LBS
2. DRIVE END BEARING 6308zz
OPPOSITE DRIVE END BEARING 6208zz

STERLING ELECTRIC, INC.

DESIGNED		DIMENSIONS IN INCHES
CHECKED		3RD ANGLE PROJECTION
APPROVED		DATE: