

# STERLING ELECTRIC, INC.

TOTALLY ENCLOSED FAN  
COOLED, SQUIRREL CAGE  
ROTOR.  
ULTRA POWER SERIES

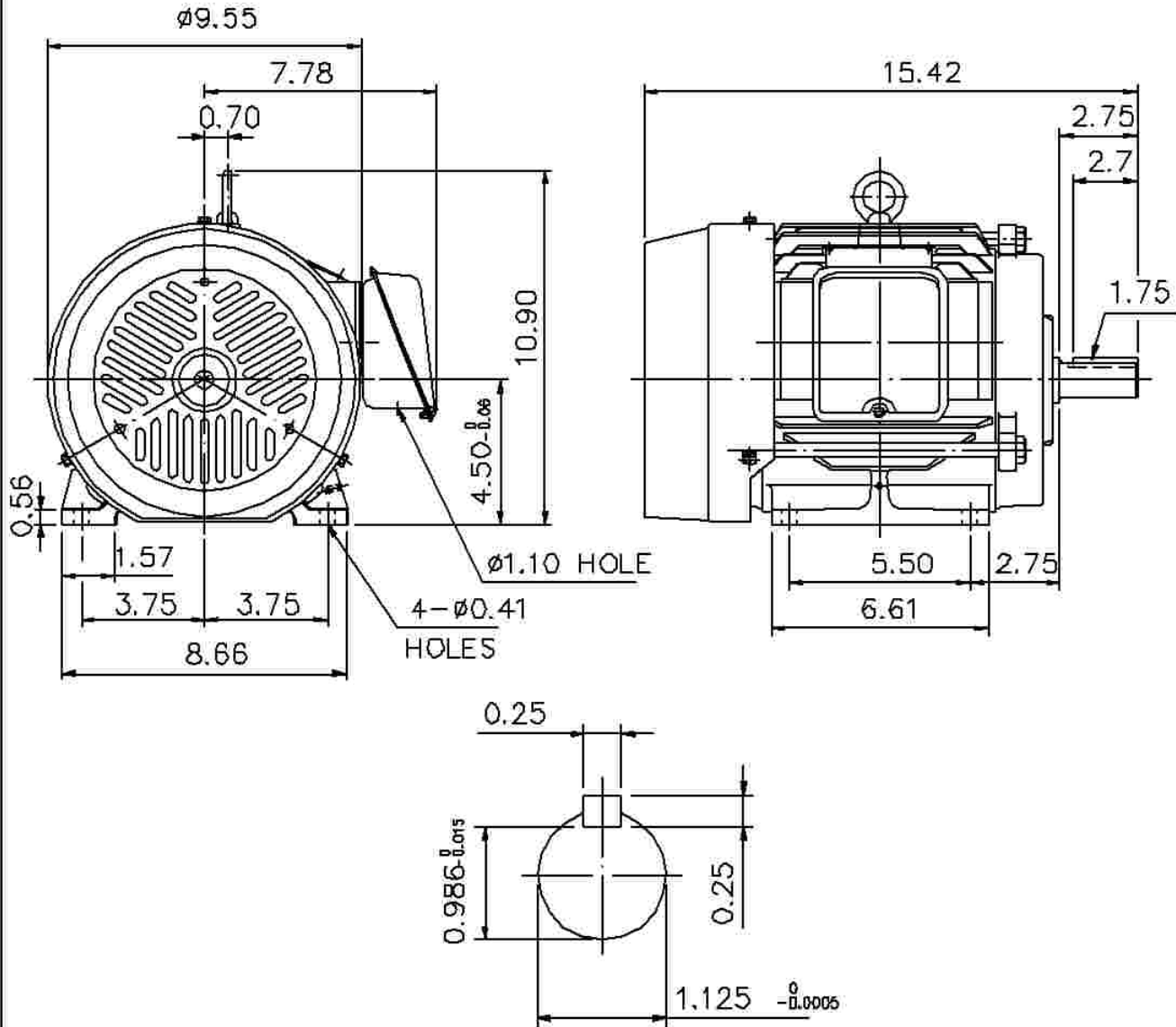
PROJECT NO:

CUSTOMER:

PO. NO:

ORDER NO:

OUTPUT	POLE	SYN. SPEED RPM.	VOLT. V.	FREQ HZ	INSUL.	TIME RATING CONT.	MODEL	FRAME NO. 184T



NOTE: 1. APPROXIMATE WEIGHT = 100 LBS  
2. DRIVE END BEARING 6207zz  
OPPOSITE DRIVE END BEARING 6206zz

# STERLING ELECTRIC, INC.

DESIGNED		DIMENSIONS IN INCHES
CHECKED		3RD ANGLE PROJECTION
APPROVED		DATE: