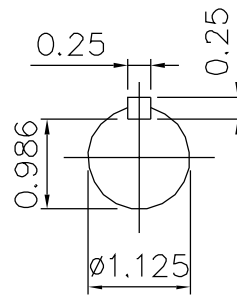
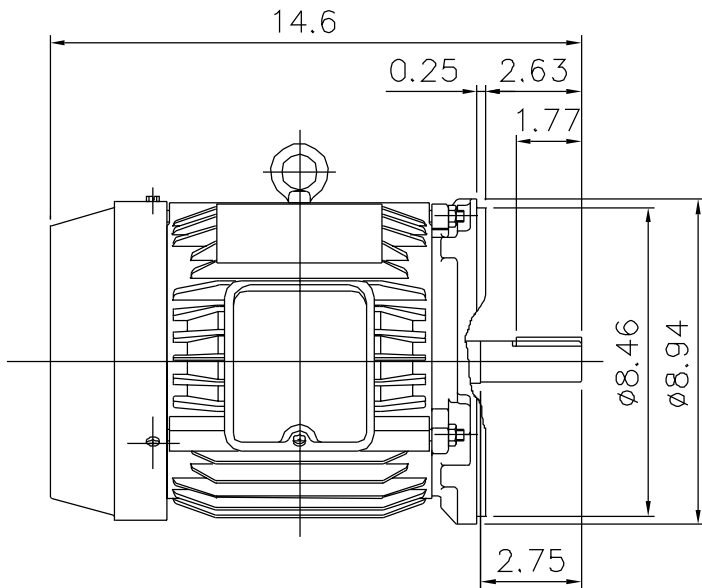


FILE NO:

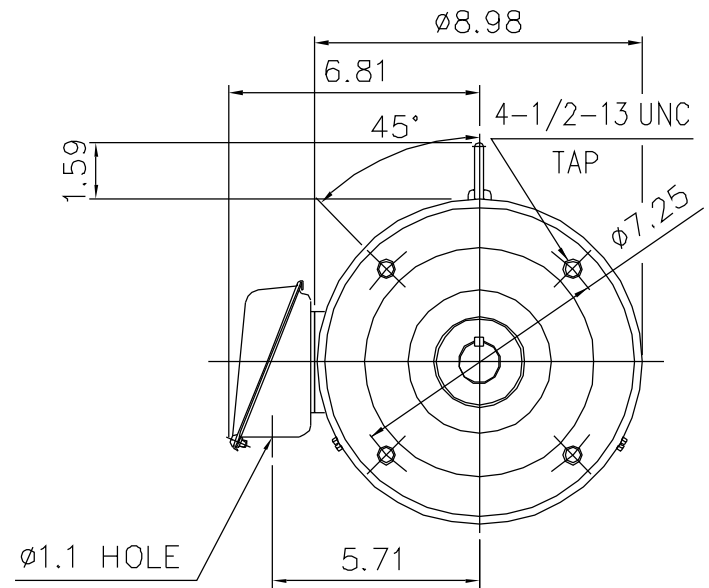
CUSTOMER:

PO. NO:

ORDER NO:



(2:5)



#182TC (1:5)

STERLING OUTLINE ELECTRIC, INC. IRVINE, CA	DESIGNED		DIMENSIONS IN INCHES
	CHECKED		3RD ANGLE PROJECTION
	APPROVED		DWG. NO: 182TC