

STERLING ELECTRIC, INC.

TOTALLY ENCLOSED FAN
COOLED, SQUIRREL CAGE
ROTOR.
ULTRA POWER SERIES

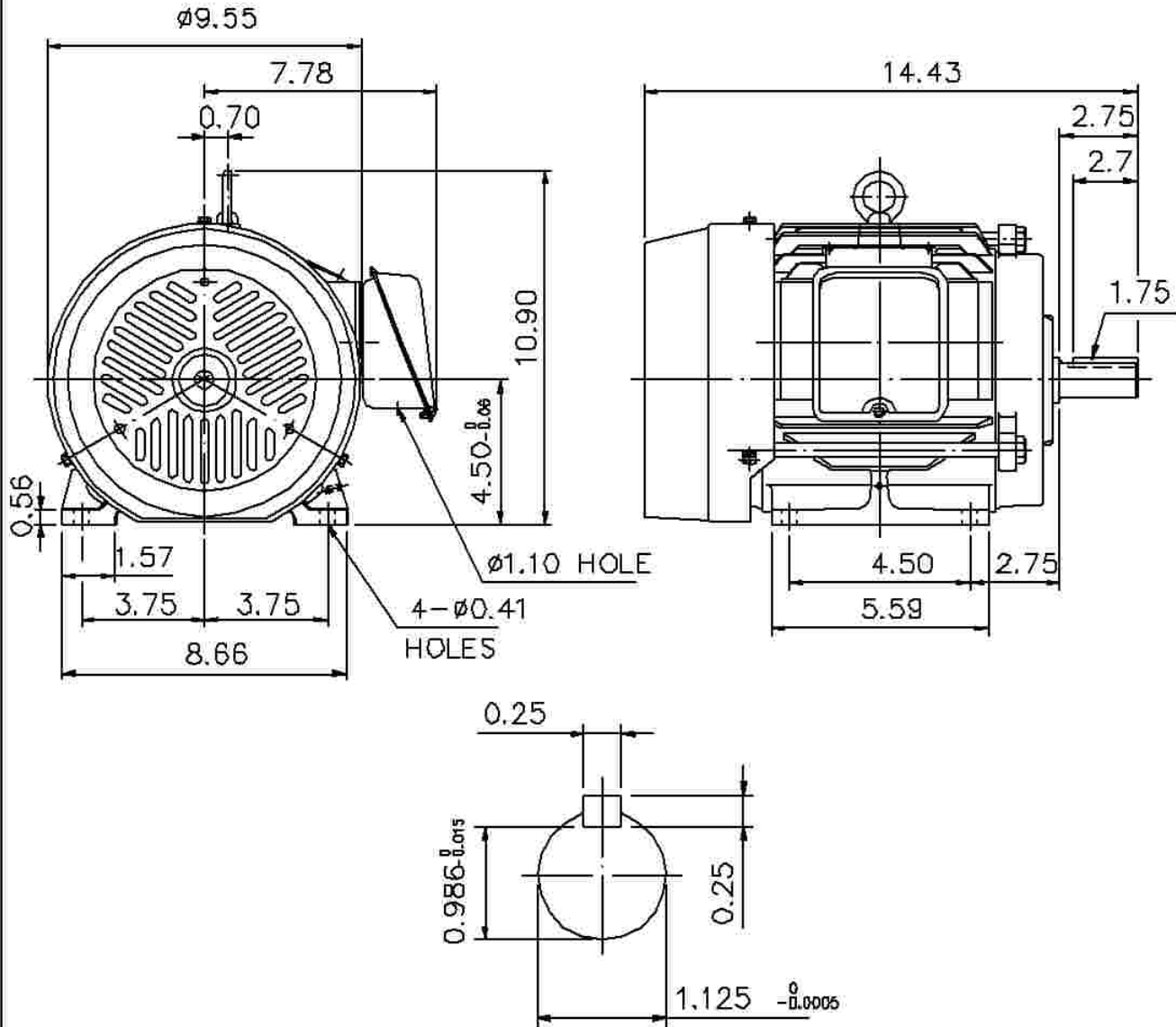
PROJECT NO:

CUSTOMER:

PO. NO:

ORDER NO:

OUTPUT	POLE	SYN. SPEED RPM.	VOLT. V.	FREQ HZ	INSUL.	TIME RATING CONT.	MODEL	FRAME NO. 182T



NOTE: 1. APPROXIMATE WEIGHT = 94 LBS
2. DRIVE END BEARING 6207zz
OPPOSITE DRIVE END BEARING 6206zz

STERLING ELECTRIC, INC.

DESIGNED		DIMENSIONS IN INCHES
CHECKED		3RD ANGLE PROJECTION
APPROVED		DATE: