

STERLING ELECTRIC, INC.

DRIP-PROOF TYPE
SQUIRREL CAGE ROTOR
FOOT MOUNTED
(EXTRA MAX)

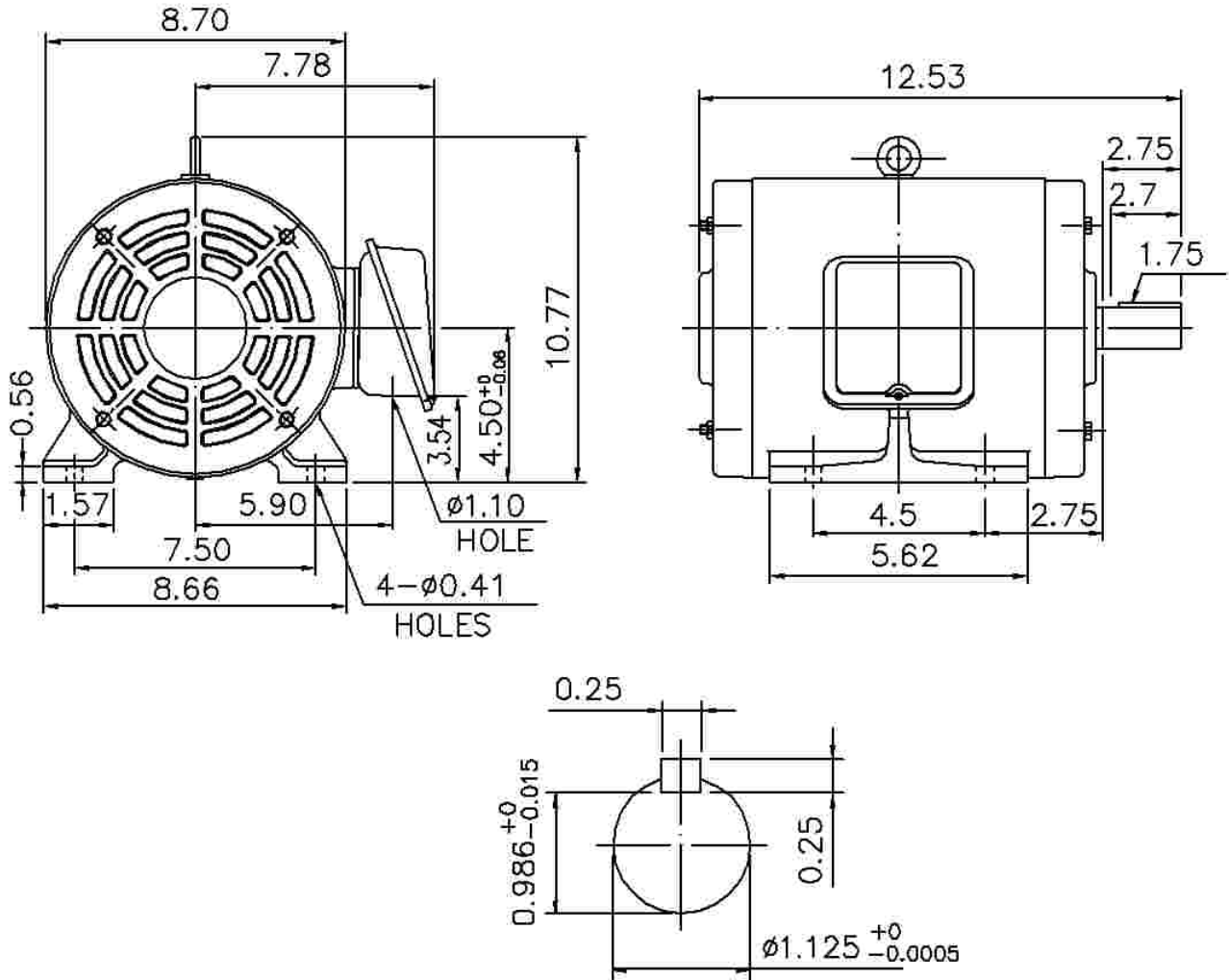
PROJECT NO:

CUSTOMER:

PO. NO:

ORDER NO:

OUTPUT	POLE	SYN. SPEED	VOLT.	FREQ	INSUL.	TIME RATING	MODEL	FRAME NO.
		RPM.	V.	HZ	F	CONT.	ODP	182T



NOTE: 1. APPROXIMATE WEIGHT = 72 LBS
2. DRIVE END BEARING 6207zz
OPPOSITE DRIVE END BEARING 6206zz

STERLING ELECTRIC, INC.

DESIGNED		DIMENSIONS IN INCHES
CHECKED		3RD ANGLE PROJECTION
APPROVED		DATE: