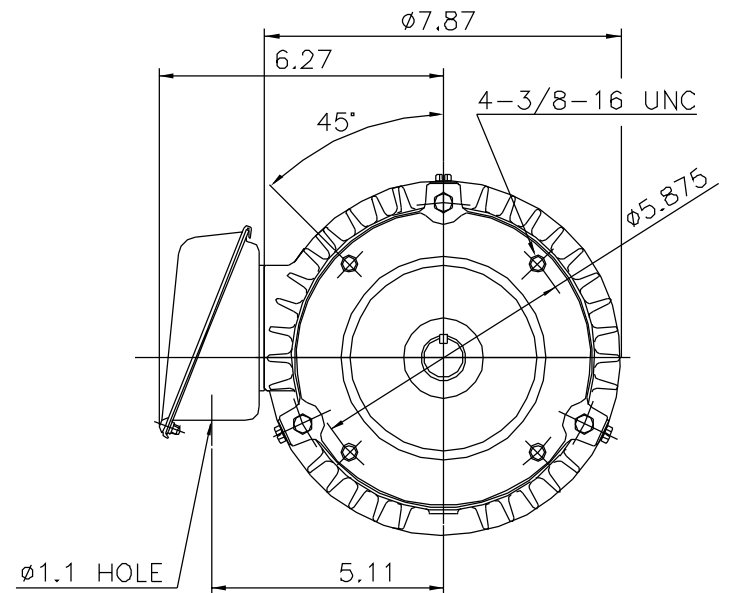
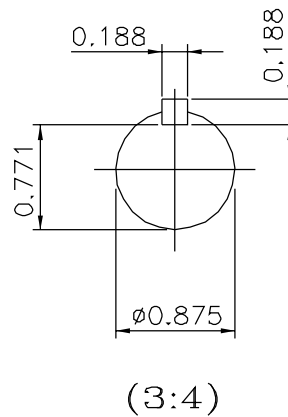
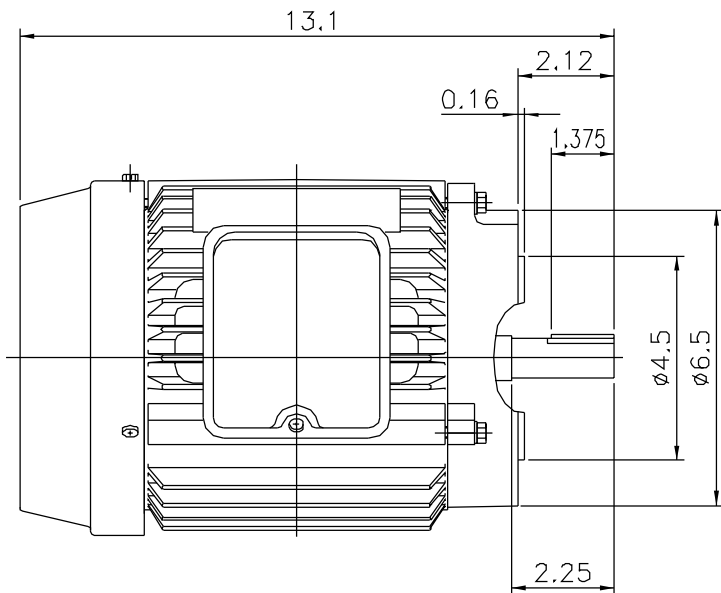


FILE NO: 145TC-FOOTLESS

CUSTOMER:

PO. NO:

ORDER NO:



#145TC (1:4)

<b>STERLING</b> <b>ELECTRIC, INC.</b> IRVINE, CA	<b>OUTLINE</b> 3-PHASE INDUCTION MOTOR	DESIGNED	DIMENSIONS IN INCHES
		CHECKED	3RD ANGLE PROJECTION
		APPROVED	DWG. NO: 145TC