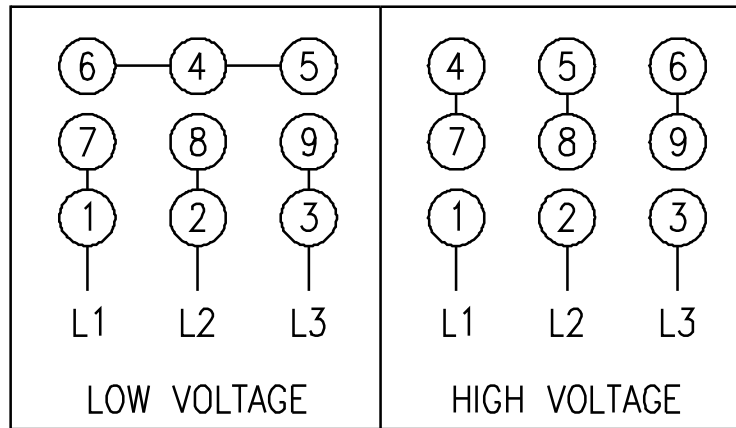
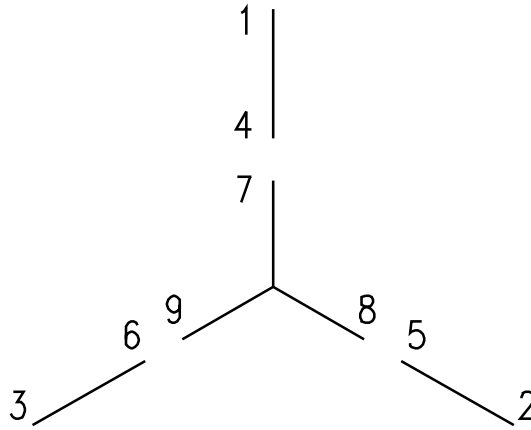


**Dual voltage 9-Lead Y-connected 3-phase
 AC Induction Motor**



VOLTAGE	L1	L2	L3	JOIN
LOW	1,7	2,8	3,9	4&5&6
HIGH	1	2	3	4&7, 5&8, 6&9