

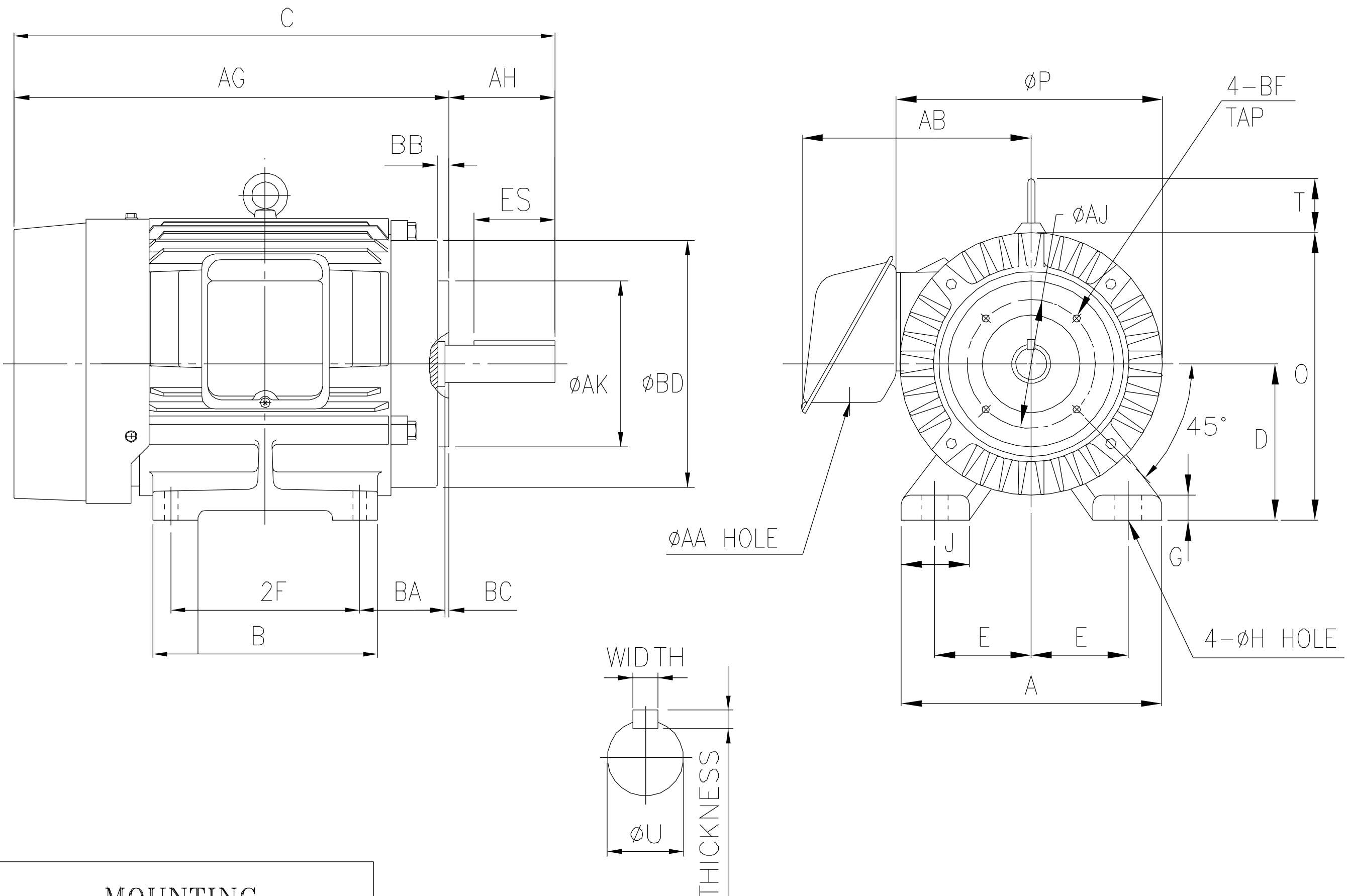
**OUTLINE  
3-PHASE  
INDUCTION MOTOR**

TOTALLY ENCLOSED FAN  
COOLED, SQUIRREL CAGE  
ROTOR  
**E-MOTOR**

FILE NO: 365TSC  
CUSTOMER:  
PO. NO:  
ORDER NO:

OUTPUT	POLE	SYN. SPEED	VOLT.	FREQ	TIME RATING	MODEL	FRAME NO.
					CONT.	TEFC	365TSC

MOTOR CODE :



**MOUNTING**

E	2F	H	BA	A	B	C	D	G	J	P	AA	AB	AG	AJ
7.00	12.25	.66	5.88	16.40	15.40	31.39	9.00	.93	3.15	19.10	3.58	17.32	27.89	11.00

C-FACE			O+T	BB	KEY			SHAFT EXT.		BEARING NO.		APPROX WEIGHT
AK	BD	BF			WIDTH	THICKNESS	ES	AH	U	D.E	O.D.E	
12.50	14.00	.63-11	21.30	.25	0.50	0.50	2.03	3.50	1.875	6312	6312	

- NOTE:1. TOLERANCE OF SHAFT END DIAMETER U: +0.000, -0.001  
 2. TOLERANCE OF SHAFT CENTER HEIGHT D: +0.001, -0.03  
 3. DIMENSION AH IS LENGTH OF STRAIGHT PART OF SHAFT.  
 4. CLASS INSULATION.

**STERLING**  
**ELECTRIC, INC.**  
IRVINE CA.

DESIGNED		DIMENSION IN INCHES
CHECKED		3RD ANGLE PROJECTION
APPROVED		DWG. NO: 365TSC