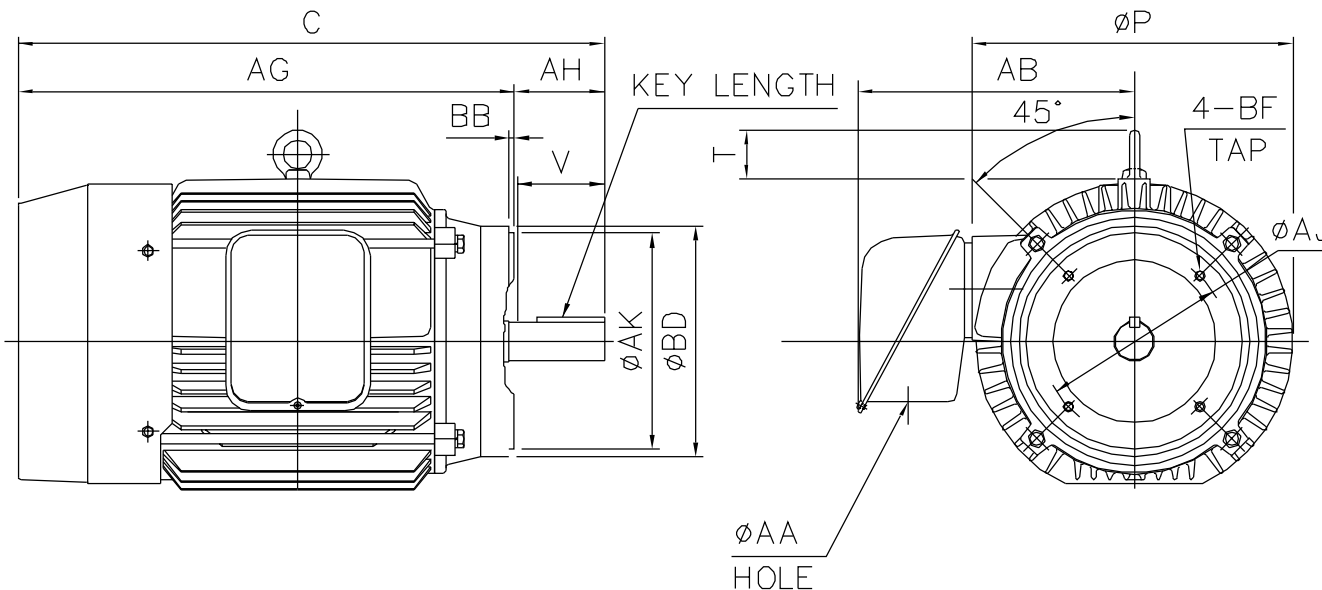


OUTPUT	POLE	SYN. SPEED	VOLT.	FREQ	TIME RATING	MODEL	FRAME NO.
		1800				TEFC	365TC

MOTOR CODE :



FLANGE				
AJ	AK	BB	BD	BF
11.00	12.50	0.25	14.00	.63-11

A	B	C	D	E	2F	G	H	J	AG	T	P	AA	AB	AH
		33.52							27.90	2.80	19.21	3.58	17.32	5.62

BA	KEY			KEYSEAT	SHAFT	
	WIDTH	THICKNESS	LENGTH	R	U	V
	.625	.625	4.28	2.021	2.375	4.5

- NOTE: 1. TOLERANCE OF SHAFT END DIAMETER U: +0.000, -0.001
 2. TOLERANCE OF SHAFT CENTER HEIGHT D: +0.000, -0.03
 3. DIMENSION R TOLERANCE: +0.000, -0.015
 4. DIMENSION AK TOLERANCE: +0.000, -0.003
 5. DIMENSION V IS LENGTH OF STRAIGHT PART OF SHAFT.
 6. F CLASS INSULATION.

	SCALE NONE
DESIGNED	DIMENSION IN INCHES
CHECKED	3RD ANGLE PROJECTION
APPROVED	DWG. NO: