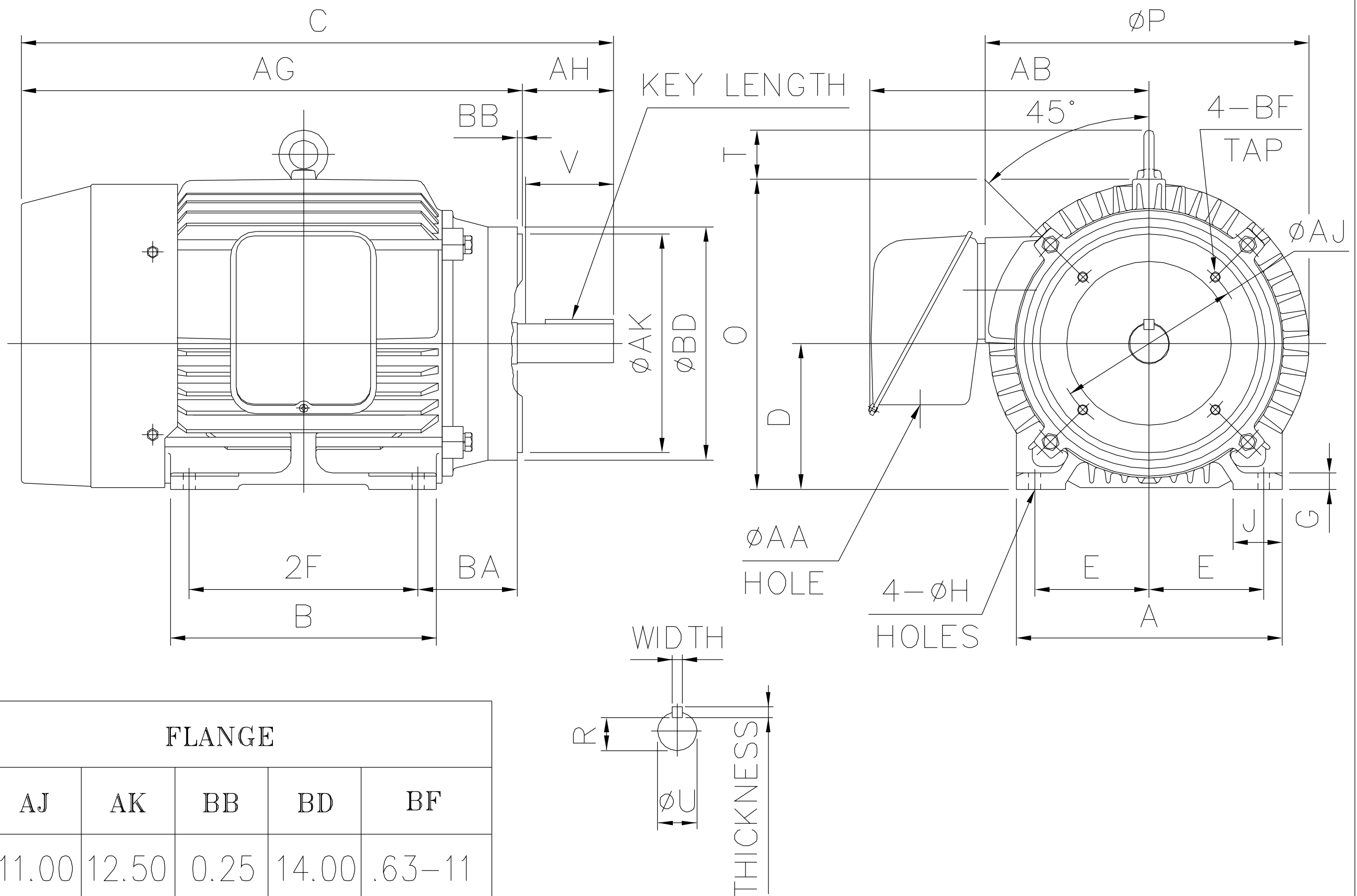


OUTPUT	POLE	SYN. SPEED	VOLT.	FREQ	TIME RATING	MODEL	FRAME NO.
					CONT.	TEFC	364TSC

MOTOR CODE :



A	B	C	D	E	2F	G	H	J	AG	O+T	P	AA	AB	AH
16.40	14.40	32.54	9.00	7.00	11.25	.93	.66	3.15	26.92	21.30	19.10	3.58	17.32	3.50

BA	KEY			KEYSEAT	SHAFT	
	WIDTH	THICK-NESS	LENGTH	R	U	V
5.88	.500	.500	2.03	1.591	1.875	3.5

- NOTE:1. TOLERANCE OF SHAFT END DIAMETER U: +0.000,-0.001  
 2. TOLERANCE OF SHAFT CENTER HEIGHT D: +0.000,-0.03  
 3. DIMENSION R TOLERANCE: +0.000,-0.015  
 4. DIMENSION AK TOLERANCE: +0.000,-0.003  
 5. DIMENSION V IS LENGTH OF STRAIGHT PART OF SHAFT.  
 6. F CLASS INSULATION.

	SCALE NONE
DESIGNED	DIMENSION IN INCHES
CHECKED	3RD ANGLE PROJECTION
APPROVED	DWG. NO: