

**STERLING  
ELECTRIC, INC.**

TOTALLY ENCLOSED FAN  
COOLED, SQUIRREL CAGE  
ROTOR (E SERIES)

FILE NO:

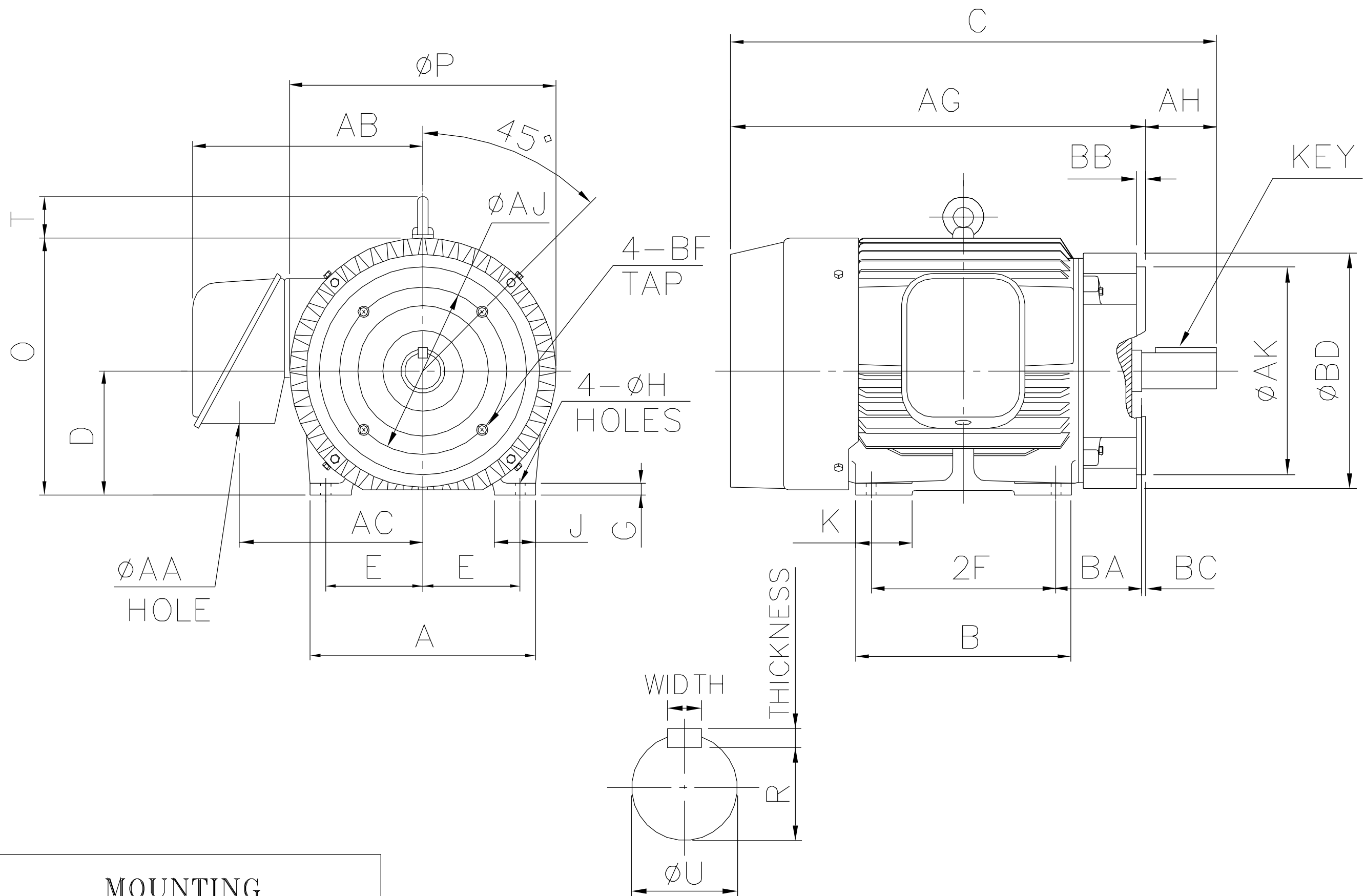
CUSTOMER:

PO. NO:

ORDER NO:

| OUTPUT | POLE | SYN. SPEED | VOLT. | FREQ | TIME RATING | MODEL | FRAME NO. |
|--------|------|------------|-------|------|-------------|-------|-----------|
|        |      |            |       |      |             | TEFC  | 324TSC    |

MOTOR CODE:



**MOUNTING**

| E    | 2F    | H    | BA   | A     | B     | C     | D    | G    | K    | P     | AA   | AB    | AG    |
|------|-------|------|------|-------|-------|-------|------|------|------|-------|------|-------|-------|
| 6.25 | 10.50 | 0.66 | 5.25 | 14.88 | 14.17 | 28.32 | 8.00 | 0.91 | 3.15 | 17.32 | 3.07 | 14.37 | 24.82 |

| C-FACE |       |       |        | BB  | BC   | O+T   | KEY   |            |       | SHAFT |       | BEARING NO. |        |
|--------|-------|-------|--------|-----|------|-------|-------|------------|-------|-------|-------|-------------|--------|
| AK     | AJ    | BD    | BF     |     |      |       | WIDTH | THICK-NESS | R     | AH    | U     | D.E         | O.D.E  |
| 12.50  | 11.00 | 14.00 | .63-11 | .25 | .250 | 19.13 | 0.500 | 0.500      | 1.591 | 3.50  | 1.875 | 6312C3      | 6212C3 |

- NOTE: 1. TOLERANCE OF SHAFT END DIAMETER U:  $+0.000, -0.001$   
 2. TOLERANCE OF SHAFT CENTER HEIGHT D:  $+0.000, -0.030$   
 3. DIMENSION R TOLERANCE:  $+0.000, -0.015$   
 4. F CLASS INSULATION

**STERLING  
ELECTRIC, INC.**  
IRVINE, CA

|          |  |                      |
|----------|--|----------------------|
| DESIGNED |  | DIMENSIONS IN INCHES |
| CHECKED  |  | 3RD ANGLE PROJECTION |
| APPROVED |  | DWG. NO: 324TSC      |