

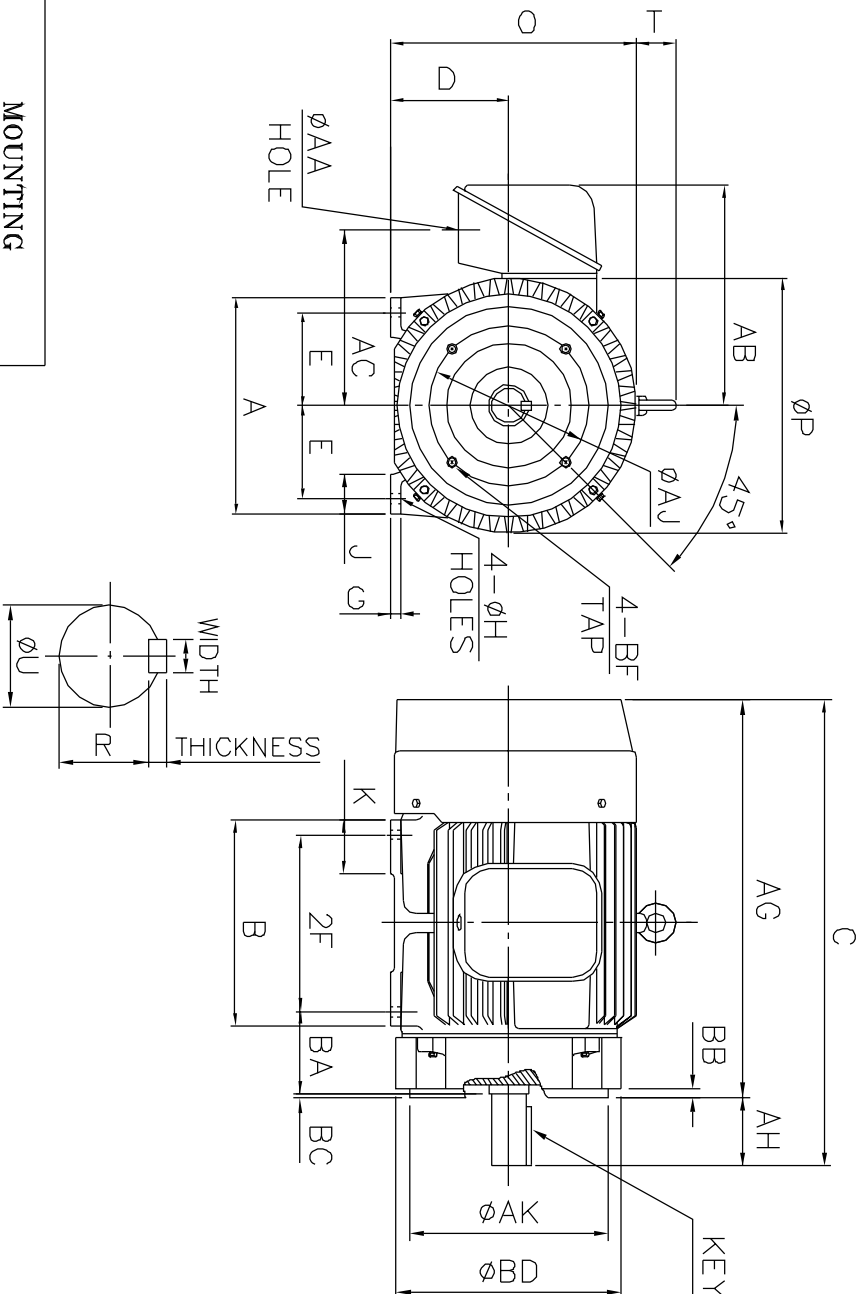
STERLING ELECTRIC, INC.

TOTALLY ENCLOSED FAN
COOLED, SQUIRREL CAGE
ROTOR (E-SERIES)

FILE NO:
CUSTOMER:
P.O. NO:
ORDER NO:

| OUTPUT | POLE | SYN. SPEED | VOLT. | FREQ | TIME RATING | ENCL. | FRAME NO. |
|--------|------|---------------|-------|------|----------------|-------|-----------|
| | | | | | | TEFC | 324TC |

MOTOR CODE:



| MOUNTING | | | | | | | | | | | | | |
|----------|-------|-------|--------|-------|-------|-------|-------|----------------|-------|-------|-------------|-------|-------|
| E | 2F | H | BA | A | B | C | D | G | K | P | AA | AB | AG |
| 6.25 | 12.00 | 0.66 | 5.25 | 14.88 | 14.17 | 29.70 | 8.00 | 0.91 | 3.15 | 17.32 | 3.07 | 14.37 | 26.32 |
| C-FACE | | | | | | | | | | | | | |
| AK | AJ | BD | BF | BB | BC | 0+T | KEY | | SHAFT | | BEARING NO. | | |
| | | | | | | | WIDTH | THICK- NESS | R | AH | U | D.E | O.D.E |
| 12.50 | 11.00 | 14.00 | 5/8-11 | .25 | .250 | 19.13 | 0.500 | 0.500 | 1.845 | 5.00 | 2.125 | 6312 | 6212 |

- NOTE: 1. TOLERANCE OF SHAFT END DIAMETER U: +0.000, -0.001
 2. TOLERANCE OF SHAFT CENTER HEIGHT D: +0.000, -0.030
 3. DIMENSION R TOLERANCE: +0.000, -0.015
 4. F CLASS INSULATION

| DESIGNED | DIMENSIONS IN INCHES |
|----------|----------------------|
| CHECKED | 3RD ANGLE PROJECTION |
| APPROVED | DWG. NO.: 324TC |