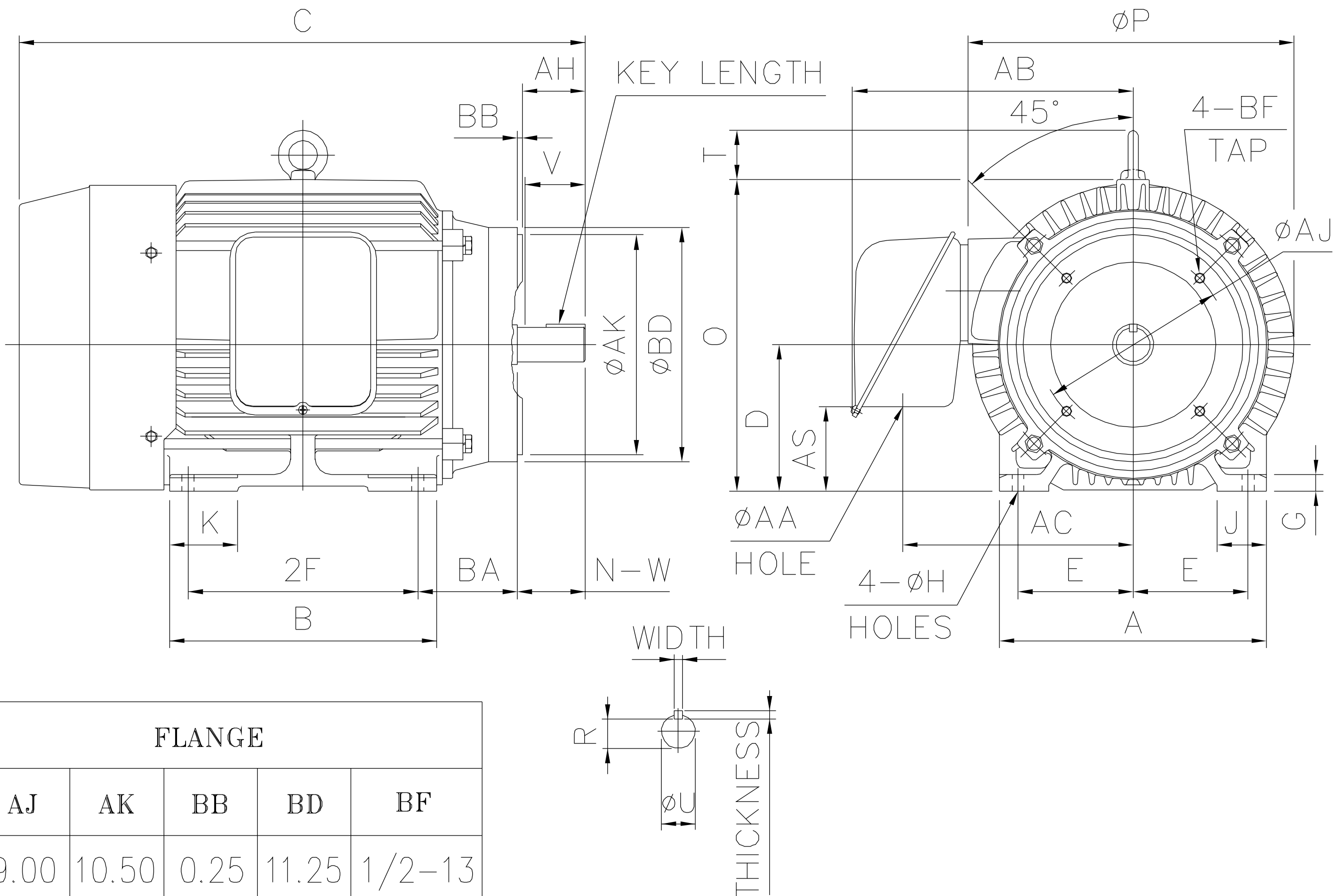


OUTPUT	POLE	SYN. SPEED	VOLT.	FREQ	TIME RATING	MODEL	FRAME NO.
					CONT.	TEFC	286TSC

MOTOR CODE :



FLANGE

AJ	AK	BB	BD	BF
9.00	10.50	0.25	11.25	1/2-13

A	B	C	D	E	2F	G	H	J	K	O+T	P	AA	AB	AH
12.76	12.76	27.03	7.00	5.50	11.0	0.79	0.53	2.36	3.25	17.30	15.67	2.36	13.4	3.00

AC	AS	BA	KEY			KEYSEAT	SHAFT EXTENSION			BEARING NO.		APPROX WEIGHT (LBS)
			WIDTH	THICKNESS	LENGTH	R	N-W	U	V	D.E	O.D.E	
11.0	4.13	4.75	0.375	0.375	1.875	1.416	3.25	1.625	3.20	6310ZZ	6210ZZ	513

- NOTE:1. TOLERANCE OF SHAFT END DIAMETER U: +0.000,-0.001
 2. TOLERANCE OF SHAFT CENTER HEIGHT D: +0.000,-0.03
 3. DIMENSION R TOLERANCE: +0.000,-0.015
 4. DIMENSION AK TOLERANCE: +0.000,-0.003
 5. DIMENSION V IS LENGTH OF STRAIGHT PART OF SHAFT.
 6. F CLASS INSULATION.

SCALE 1:9

DESIGNED		DIMENSION IN INCHES
CHECKED		3RD ANGLE PROJECTION
APPROVED		DWG. NO: 286TSC