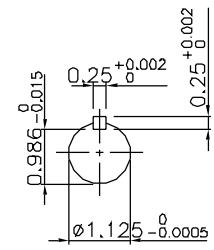
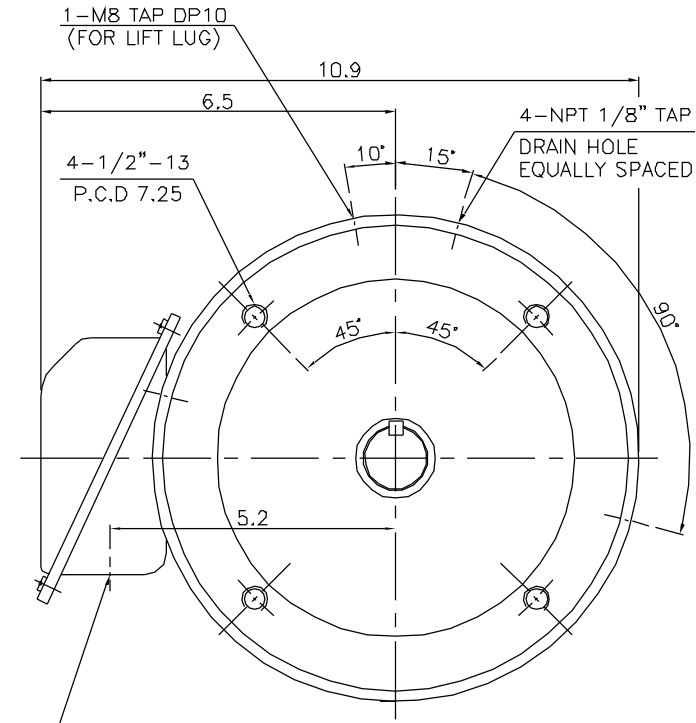
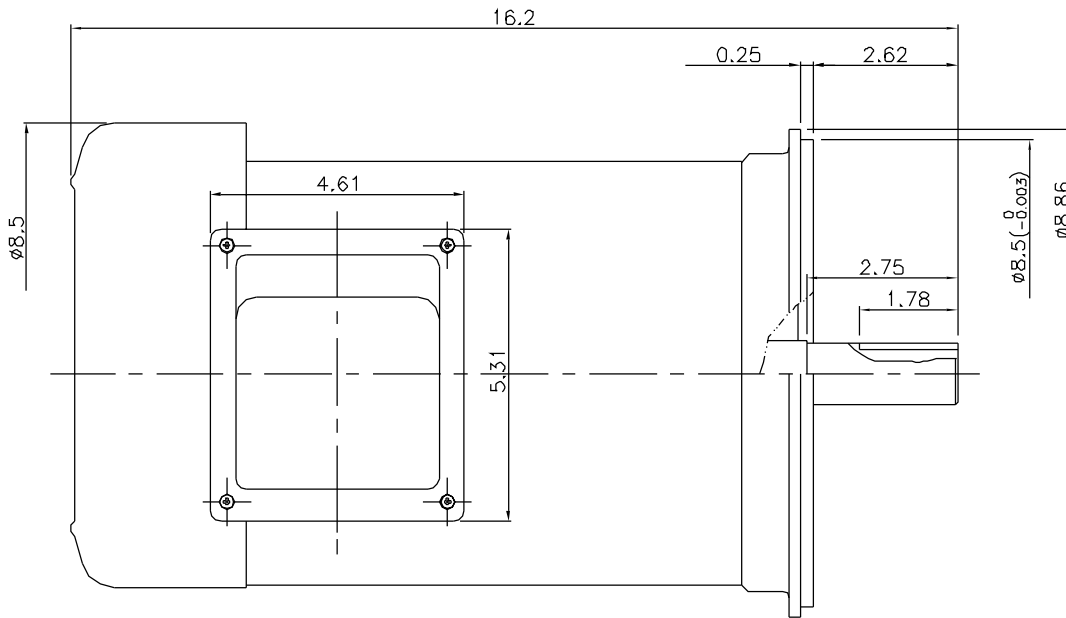


# C-FACE FOOTLESS XB STAINLESS STEEL AND DB ROLLED STEEL MOTOR



SHAFT DETAIL

TITLE  
**OUTLINE**  
 (5HP x 4P, 184T)

**STERLING**  
**ELECTRIC, INC.**