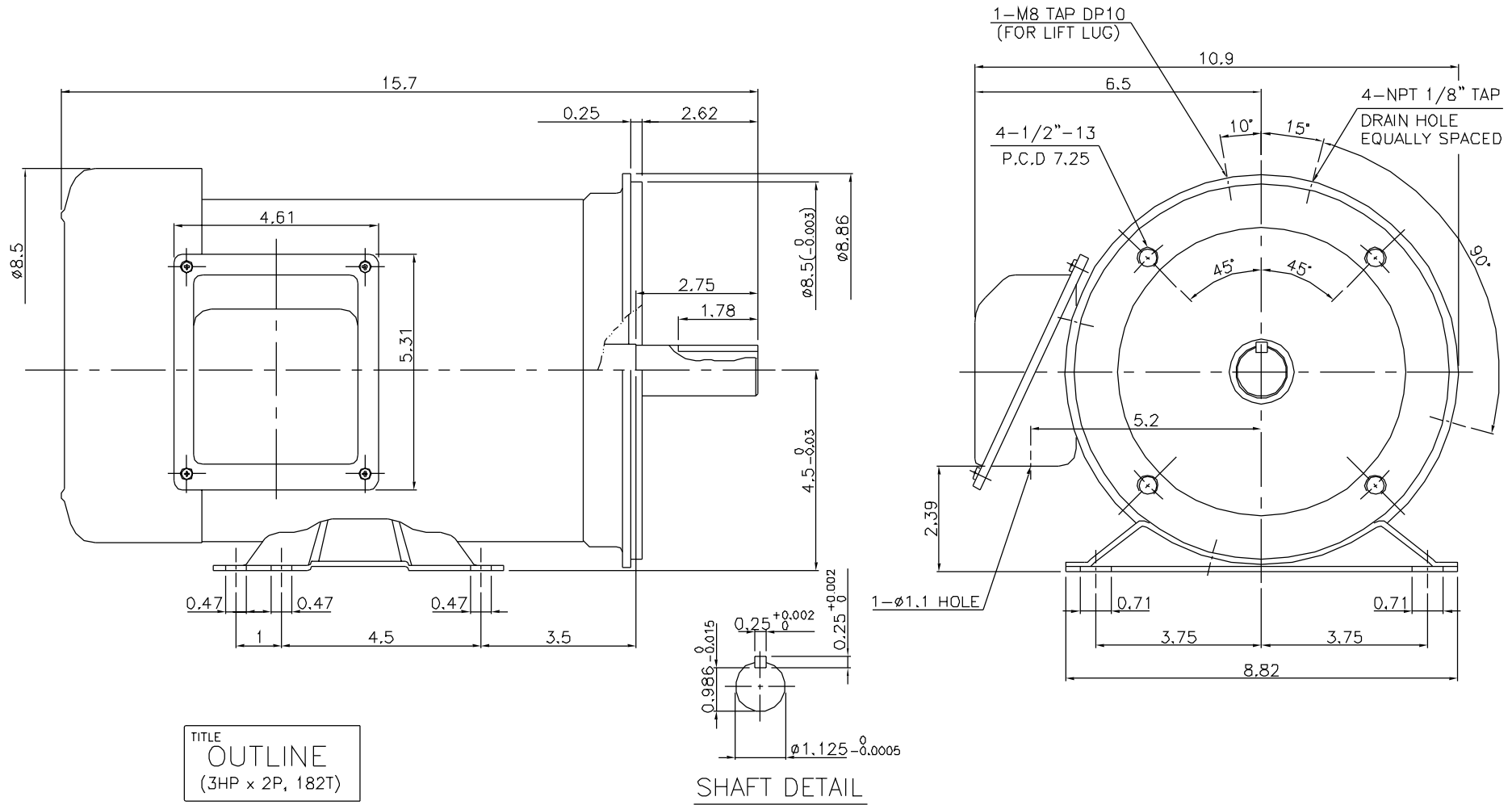


C-FACE FOOTED XB STAINLESS STEEL AND DB ROLLED STEEL MOTOR



TITLE
OUTLINE
 (3HP x 2P, 182T)

SHAFT DETAIL

STERLING
ELECTRIC, INC.