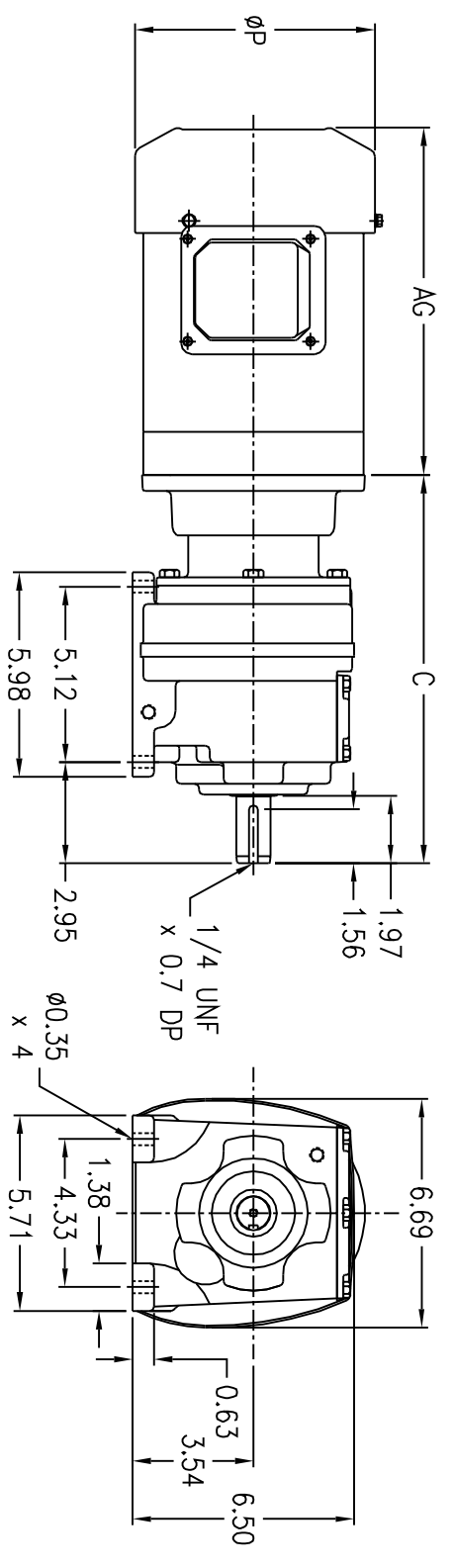
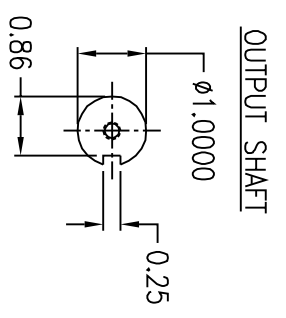


2000HG R-SERIES GEARMOTOR SIZE R0402



HP	C	AG	phi P
0.33		9.29	6.50
0.50		10.51	6.50
0.75	11.34	10.91	6.50
1.00		12.01	7.13
1.50		12.01	7.13
2.00		12.40	7.13
3.00		12.95	8.50
5.00	11.44	13.58	8.50



STERLING ELECTRIC, INC. IRVINE, CA		OUTLINE IH-LINE HELICAL REDUCER	
DESIGNED		DIMENSIONS IN INCHES	
CHECKED		3RD ANGLE PROJECTION	
APPROVED		DWG. NO: 66C-1807C-R0402	